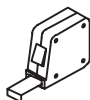
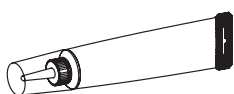


Model : 219525-1-WH
219525-4-WH
219525-8-WH
219531-1-WH
219531-4-WH
219531-8-WH

219537-1-WH
219537-8-WH
219549-1-WH
219549-8-WH

PRE-INSTALLATION

Tools Required



MATERIALS INCLUDED

(1) Vitreous China Sinktop

MATERIALS NEEDED

(1) Silicone

Step 1: PREPARING THE VANITY

Install the faucet into the pre-drilled locations of the sinktop (faucet and drain not included)

Follow the manufacturer’s installation instructions to install the faucet and drain.

Do not over tighten the faucet system to avoid unnecessary damage to the vanity top.

See Figure 1.

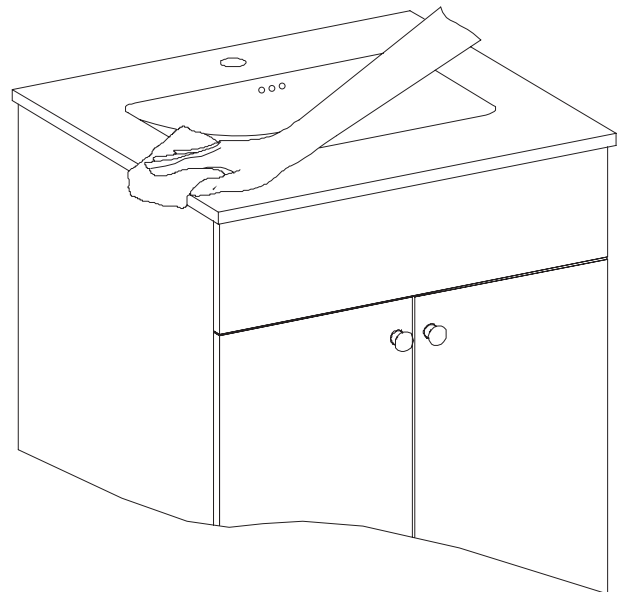


Figure 2.

Step 2: PREPARING THE TOP

The Vanity should be set in place per the manufacturer’s installation instructions (Vanity not included)

Use a light damp cloth to wipe any dirt or dust from the top edge of the vanity.

Apply a small bead of silicone compound to the top edge of the vanity. The silicone compound will act as an adhesive to secure the top to the vanity.

See Figure 2.

Step 3: INSTALLING THE VANITY TOP

It is highly recommended to have a second person for this step.

Carry the sinktop to the vanity location and set the sinktop in place.

Place the sinktop into the final position as close as possible, avoiding moving the top excessively after setting into place.

See Figure 3.

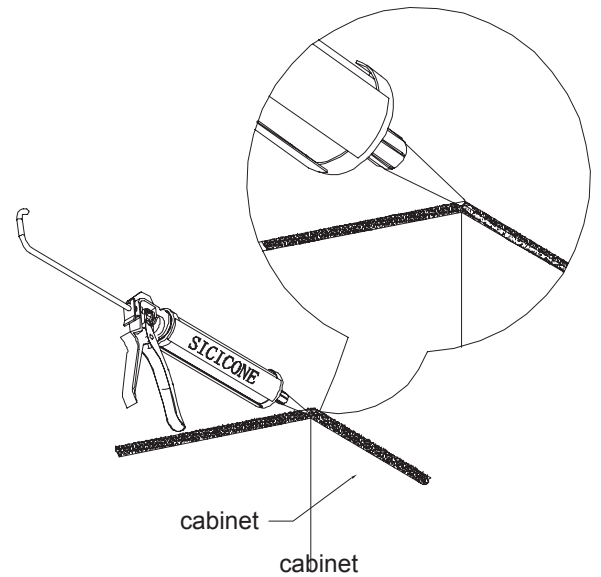


Figure 3.

STEP 4: DRYING TIME

Allow at least 24 hours for the silicone to fully dry.

During this time avoid moving the vanity top.

PRODUCT CARE AND MAINTENANCE

The fine furniture finish of your new vanity, mirror or other bathroom accessories are designed to protect against normal home use. With proper care, your product will provide years of use and beauty in your home.

GENERAL CARE TIPS

- Test cleaning product on small, discrete area prior to applying to entire surface.
- Wipe surfaces frequently with dry, soft, non-abrasive and lint-free towel.
- Do not allow liquids and moisture to accumulate on the surface of products.
- For warranty information, please visit our website at www.ronbow.com or contact the Customer Service Department at (510) 713-1188.

CERAMIC SURFACE

- We recommend using a soft sponge or cloth and a mild abrasive.
- To avoid water spotting, wipe down the sink bottom after use. Waxing the sink will encourage drainage.
- Ceramic sinks from Ronbow are constructed with a durable glaze for years of beautiful performance. On the occasion that a metal pot or pan may leave a mark on the surface of the sink, we recommend a mild abrasive cleaner is acceptable.