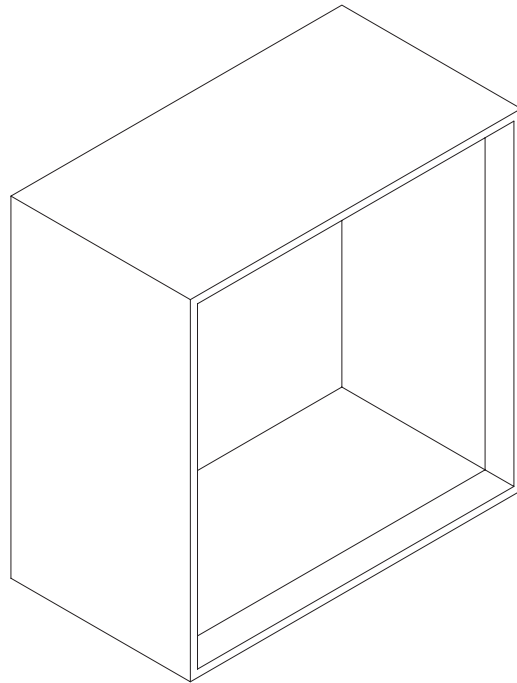


# RONBOW

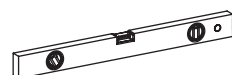
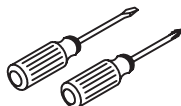
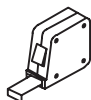


## INSTALLATION AND CARE GUIDE

CELESTE WALL BOX  
524011-FINISH

Model : 524011-FINISH

**Tools Required**



**MATERIALS INCLUDED**

- 1 wood box
- 1 velcro piece
- 2 hanging hardware
- 2 wood screws

**MATERIALS NEEDED**

- 1 2 X 4 supprt beam

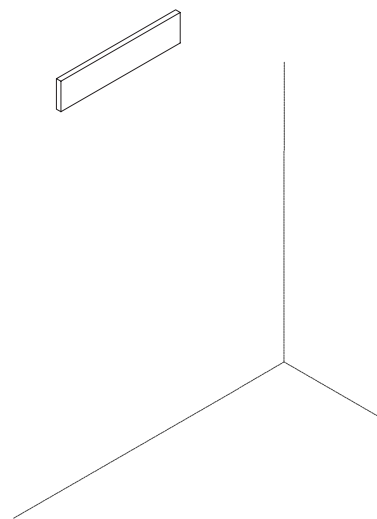
Model : 524011-FINISH

## PRE-INSTALLATION

**Step 1:** Cut the 2 x 4 support beam to size and place behind the wall for extra support of your new wall box

See Figure 1.

Figure 1.



## INSTALLING THE WALL BOX

**Step 2:** Mark the location of the mounting hardware with a distance between 9 to 9 1/2".

Then screw on the mounting hardware gently to allow the mounting hardware to rotate. Do not overtighten.

Place the leveler on top of the mounting hardware and rotate until it reaches a leveled position.

Then tighten the mounting hardware.

**Step 3:** Gently hang the wall box to the wall to complete the installation.

See Figure 2.

Figure 2.

