

**Model :** E016127

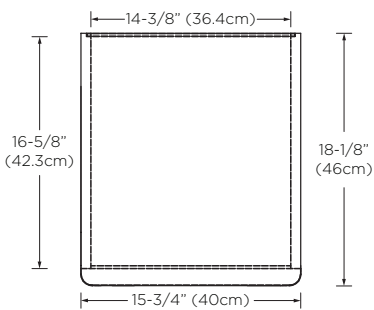
Designed By: **PHOENIX DESIGN | GERMANY**

- Features :**
- 2 soft-close doors with Hettich brand hardware
  - 5 fixed wood shelves with door finger pulls
  - Doors open from right to left
  - Fully finished interiors
  - Solid wood construction (no MDF)
  - Multi-step polyurethane finish resists moisture and scratches
  - Leg levelers included

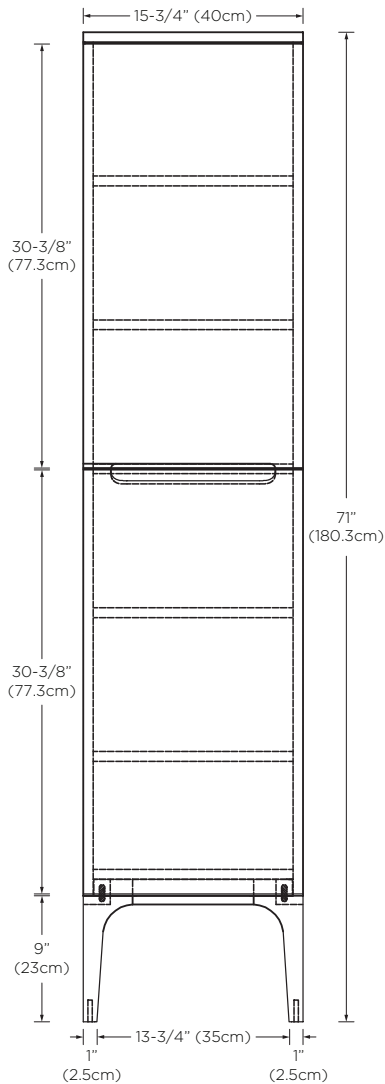
All Ronbow cabinets are made of solid hardwood or hardwood plywood and meet strict CARB II Standards. No particle board or Micro-Density Fiberboard (MDF) are used.

**Available Finish :** Traffic Gray (E11) with Light Oak (E48) legs and top  
Stone Gray (E73) with American Walnut (E56) legs and top

Top



Front



Side

