

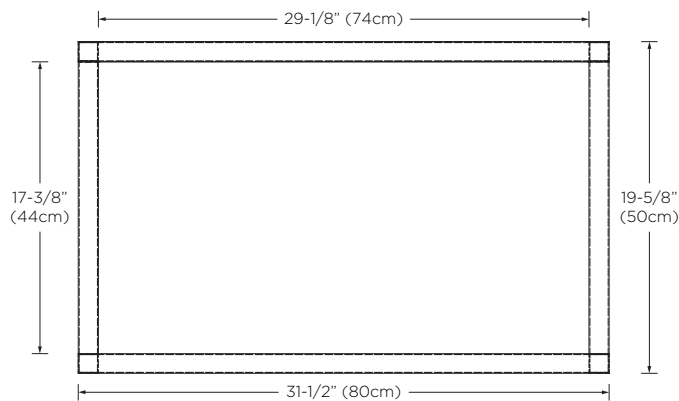
Model : E052131

Designed By: **RAMON ESTEVE** | SPAIN

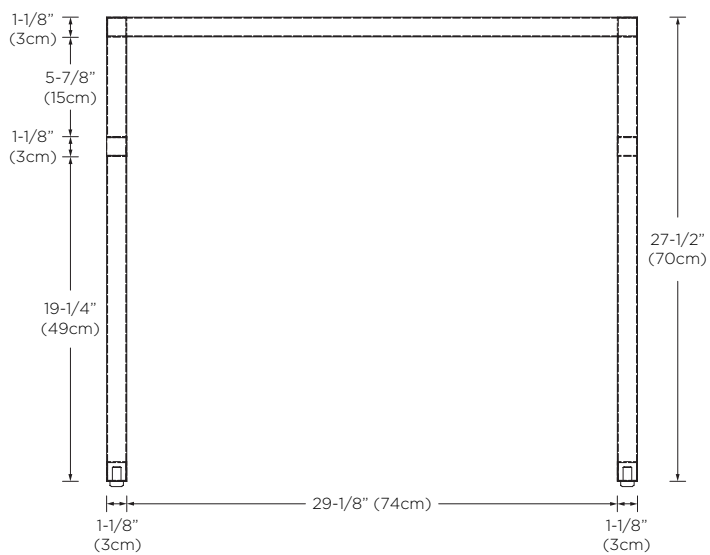
Features : Dark Bronze (DB) powder coated metal
2 fixed towel bars on sides
Leg levelers included
U.S. PATENT PENDING

Available Finish : Dark Bronze (DB)

Top



Front



Side

