

**Model :** E094130

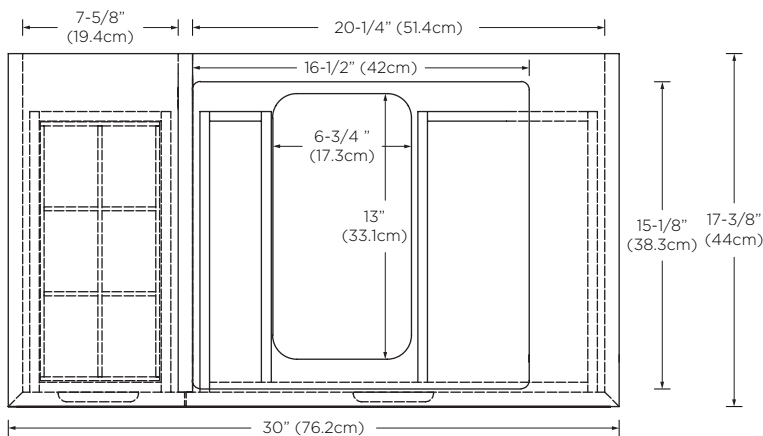
Designed By: **PININFARINA** | ITALY

- Features :**
- 2 full-extension, soft-close drawers with high-end European brand hardware
  - Woven fiber drawer liners
  - Clear acrylic drawer organizer
  - Dovetail drawer construction
  - Fully finished interiors
  - Drawer finger pulls on bottom
  - Solid wood construction (no MDF)
  - Multi-step polyurethane finish resists moisture and scratches
  - Wall hung hardware included
  - U.S. PATENT PENDING

All Ronbow cabinets are made of solid hardwood or hardwood plywood and meet strict CARB II Standards. No particle board or Micro-Density Fiberboard (MDF) are used.

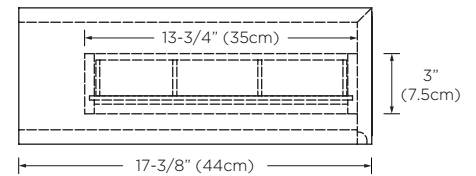
**Available Finish :** Chene (E07)  
Graphite (E19)

### Top

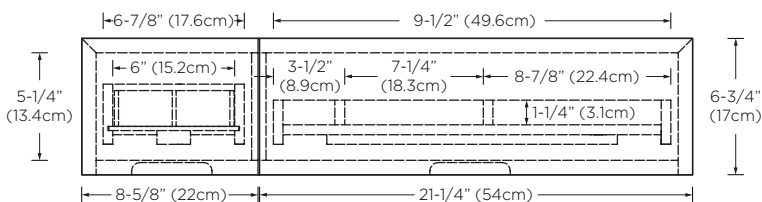


### Sides

Left



### Front



Right

