

Model : E097030

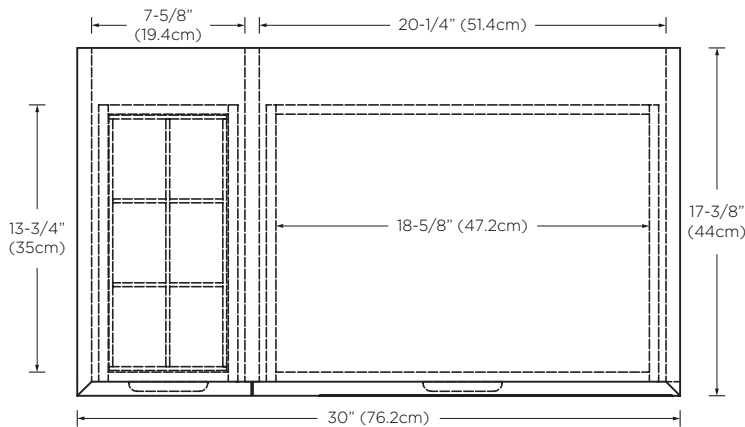
Designed By: **PININFARINA** | ITALY

- Features :**
- 2 full-extension, soft-close drawers with high-end European brand hardware
 - Drawer finger pulls on bottom
 - Dovetail drawer construction
 - Clear acrylic drawer organizer
 - Fully finished interiors
 - Solid wood construction (no MDF)
 - Multi-step polyurethane finish resists moisture and scratches
 - Wall hung hardware included

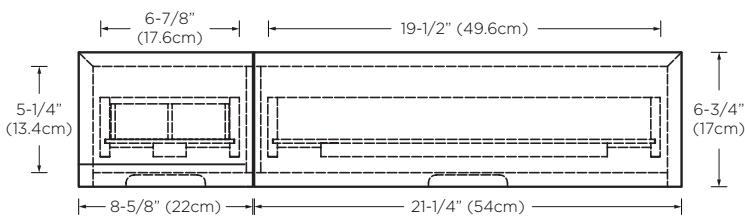
All Ronbow cabinets are made of solid hardwood or hardwood plywood and meet strict CARB II Standards. No particle board or Micro-Density Fiberboard (MDF) are used.

Available Finish : Chene (E07)
Graphite (E19)

Top



Front



Sides

